

V-FLEX II

~ Flexible Linear Lighting System ~ 8W/m & **2.5W/m**

8W/METER

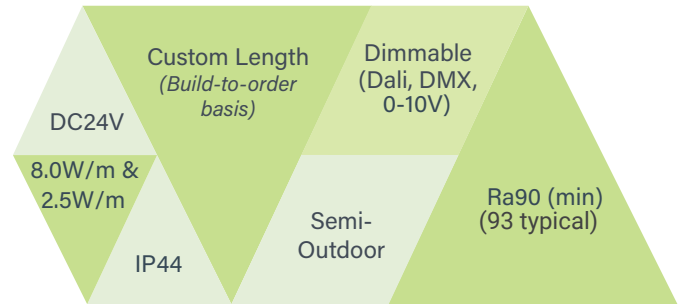
FEATURES

- Ideal for general cove lighting / Niche lighting / Joinery.
- Rigid fixture, yet horizontally-bendable.
- Available in CCT 2000K 2200K 2500K 2700K 3000K 3500K 4000K and 5000K.
- Excellent efficiency using NICHIA Japan LED with optimized circuit design and tight-controlled chip's Vf properties.
- Minimized voltage drop using power compensation wire
- Excellent colour consistency with MacAdam 3-Step Centre Binning (right on top of black locus body line).
- Two (2) types of wattage and brightness; 8.0W/m and 2.5W/m.
- Protection circuits equipped against reverse polarity.



Pre-wired type available in L1m (=10-in-1)

BASIC SPECIFICATION



PRODUCT SPECIFICATIONS

Product Name	V-Flex II 2.5W/meter Type				
Model No.	VXII1000-XX3B-2.5W (L1meter / L1031mm) 10-in-1 Pre-wired	VXII10SH-XX3B-2.5W (L1m/Single-Housing) Single-Housing	VXII1000C-XX3B-2.5W (L1m L200mm x 5) L1m 5-in-1 Pre-wired L200mm x 5	VXII0500-XX3B-2.5W (L0.5m /L511mm) 5-in-1 Pre-wired	VXII0300-XXA-2.5W (L303mm) In Single Housing
Input Voltage	24Vdc	24Vdc	24Vdc	24Vdc	24Vdc
Power Consumption	2.5 W	2.5 W	2.5 W	1.3 W	0.8 W
Dimension (mm)	1031*19*12(H)	997*19*12(H)	997*19*12(H)	511*19*12(H)	91*19*12(H)
Weight	190 grams	192 grams	195 grams	98 grams	60 grams
Casing Body	Aluminium Heatsink with UV-resistant Polycarbonate Semi-Frosted Diffuser				
LED Beam Angle	110°	110°	110°	110°	110°
Operating Temperature	-10°C~50°C	-10°C~50°C	-10°C~50°C	-10°C~50°C	-10°C~50°C
Max. Length of Series Connection	6 meter	6 meter	6 meter	6 meter	6 meter
Option Parts	Mounting clip bracket 0° (flat) type / 45° fixed angle type / 30deg fixed angle type				
No of LEDs	40	28	35	20	12
Power Supply Unit (Gear-Driver)	24Vdc Contant-Voltage Switching Power Supply (TDK Lamba, Sold Separately)				
Dimmable Control	Dimmable	Dimmable	Dimmable	Dimmable	Dimmable
Lumens (typical @ 3000K)	320	320	320	160	96

Available CCT: 5000K, 4000K, 3500K, 3000K, 2700K, 2500K, 2200K 2000K

MODEL NO

Model No

VXII XXXX – XXXB – XX – XX

Fixture Type

Fixture Length

Color Temperature

Wattage/m

Optional /Custom

Fixture Type

VXII → V-Flex II Series

Fixture Length

- 1000** → L1m L1031mm 10-in-1 Pre-wired
- 0800** → L0.8m L823mm 8-in-1 Pre-wired
- 0500** → L0.5m / L511mm 5-in-1 Pre-wired
- 0300** → L0.3m L303mm 3-in-1 Pre-wired
- 0100** → L95mm Single Housing



10SH : L1m Single-housing type
 1000C : L1m pre-wired 5-in-1 (L200mm x5units) conventional type

Color Temperature

- 503B** → 5000K Build-to-order
- 403B** → 4000K
- 353B** → 3500K
- 303B** → 3000K
- 273B** → 2700K
- 223B** → 2200K
- 203B** → 2000K Build-to-order



Connector

- 8W** → 8W per meter type
- 2.5W** → 2.5W per meter type

Example

VXII 1000 – 303B – 2.5W

Fixture Type

⋮

V-Flex II Series

Fixture Length

⋮

1 meter
Standard, Pre-wired
10-in-1 Pre-wired

Color Temperature

⋮

CCT 3000K
Ra93 typical (CRI Ra90min)

Wattage/m

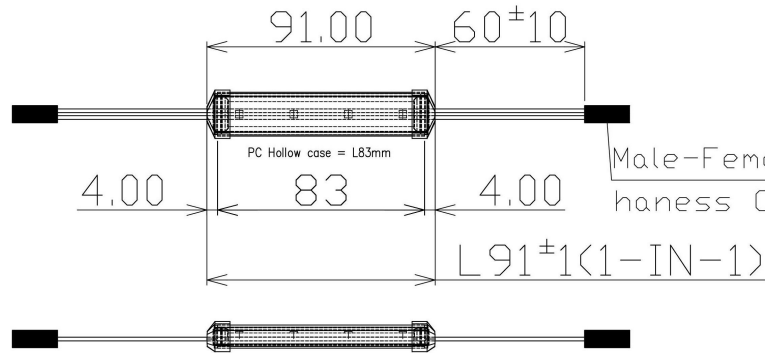
⋮

2.5W per meter type

MECHANICAL DRAWING

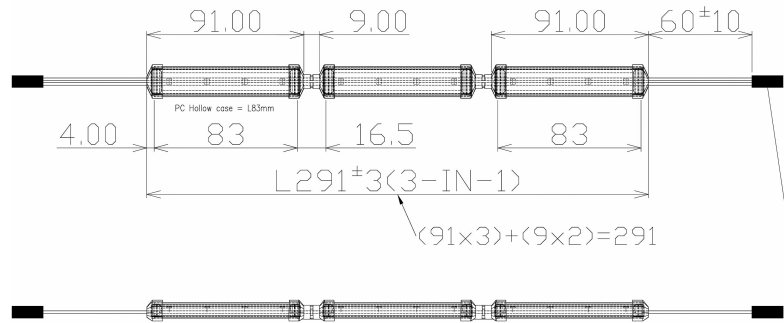
1

91mm = 1-in-1
Single-Housing
Model: VXII0100-XX3B-XXX



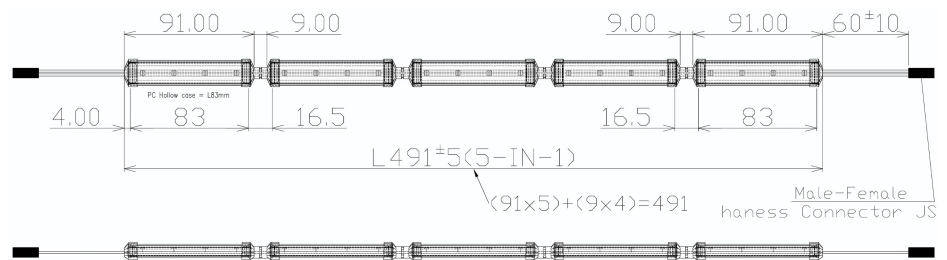
2

Approx.
0.3m = 3-in-1
Model: VXII0300-XX3B-XXX



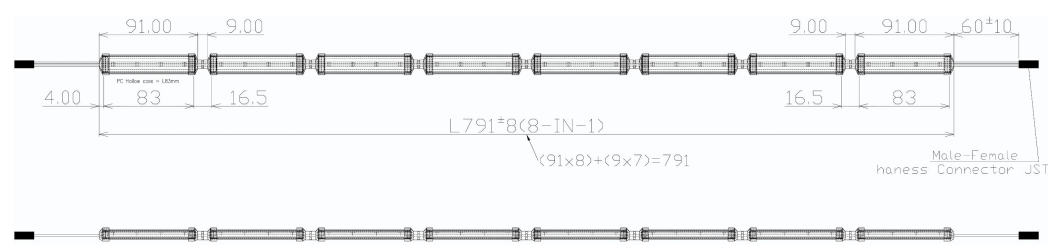
3

L0.5m 5-in-1 Pre-wired
Model: VXII0500-XX3B-XXX



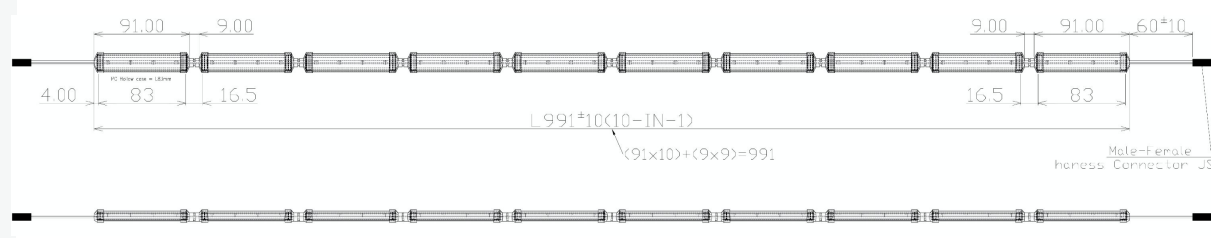
4

Approx.
L0.8m = 8-in-1
Model: VXII0800-XX3B-XXX

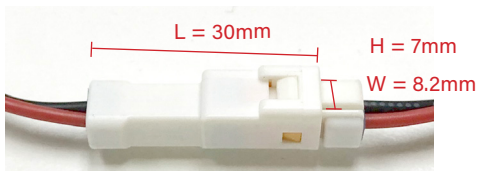


5

Approx.
1m = 10-in-1
Model: VXII1000-XX3B-XXX



Male-Female Connector
(Standard spec comes with this connector)

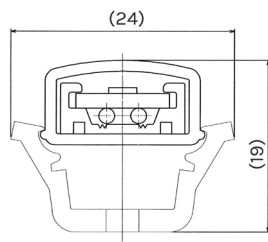
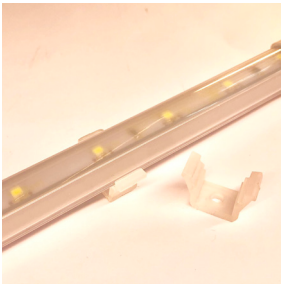


Red Cable = 24Vdc Positive (+)
Black Cable = GND Negative (-)

OPTIONAL ACCESSORIES

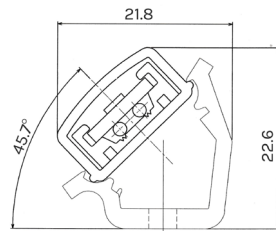
1 Mounting Clip Bracket 0° Flat Type

Model: MC-0DEG



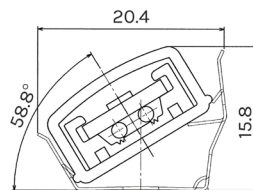
2 Mounting Clip Bracket 45° Type

Model: MC-45DEG

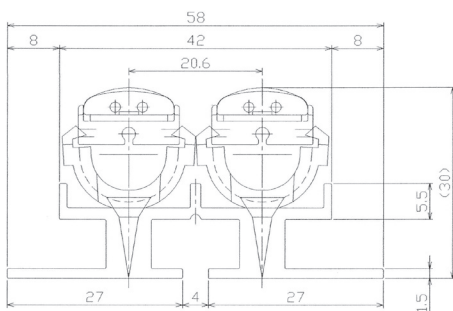
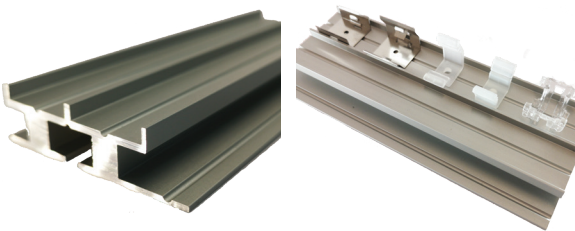


3 Metal Mounting Clip 30° Type

Model: MMC-30DEG



4 Aluminum Guide Rail



PHOTOMETRICS

BROWNIE Lab 190214
VXII1000-303B -2.5W

Article No.: VXII1000-303B-2.5W

Luminous flux (Luminaire): 320 lm

Luminous flux (Lamps): 320 lm

